

Porto Awning Installation Instructions & Care Guide



WARNING!

The arms of the awning are under significant tension, especially when the awning is closed. Ensure that no bolts or fixings are loosened unless you are specifically requested to do so.

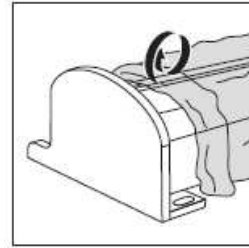
WARNING

Any maintenance should only be undertaken with the appropriate advice from a professional.

WARNING

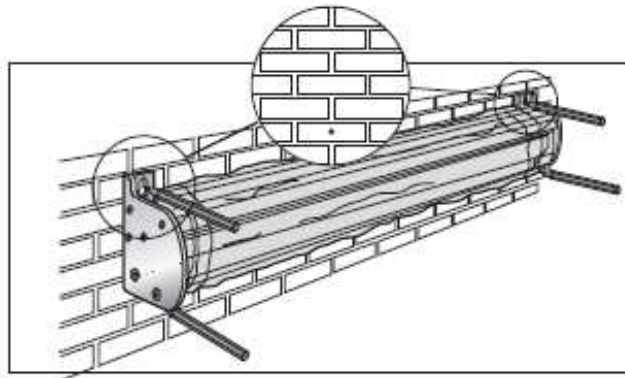
The awning is heavy. Ensure at least two people assist in the installation. It is also essential to ensure secure fixings and monitor the structural integrity of the wall from time to time.

1. Pull the packaging away from end plates. Leave the rest of the packaging in place

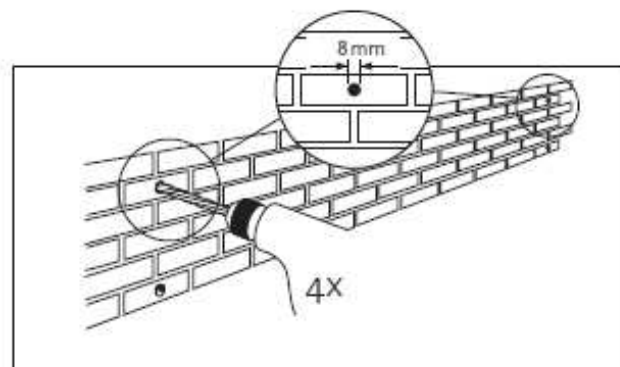


2. There should be at least 5 courses of bricks above the awning. If there is not then you should consider using spreader plates to bring the fixings further down the wall

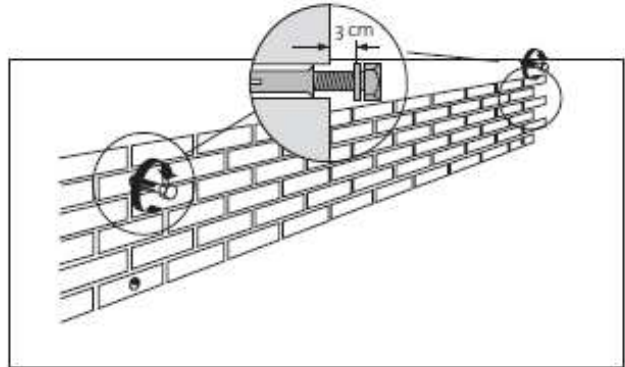
Mark the hole positions on the wall.



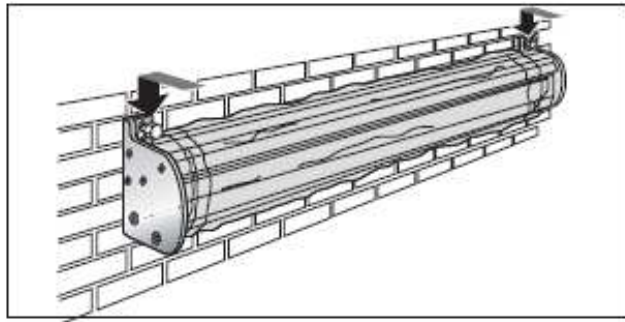
3. Drill an 8mm hole in the brick for each fixing point. The fixings provided will screw directly into the brickwork.



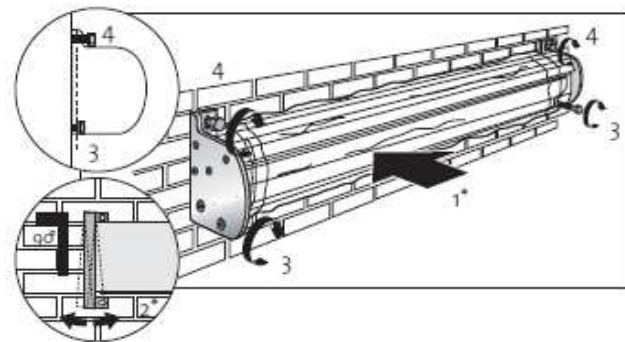
4. Screw the top two fixings into the wall leaving a gap of 3cm.



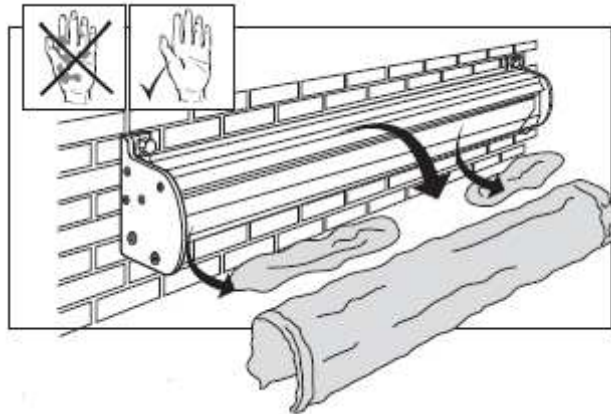
5. Lift the awning onto the fixings.



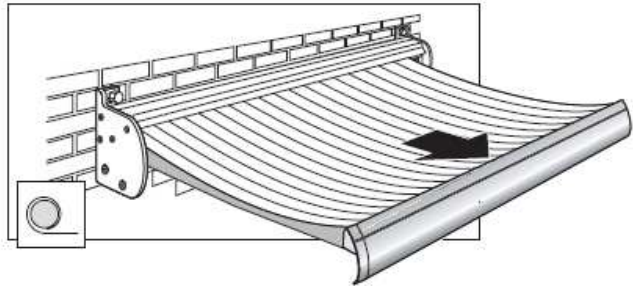
6. The awning should be fully closed. Ensure that the endplates are level. Insert the remaining two fixings and tighten all of them.



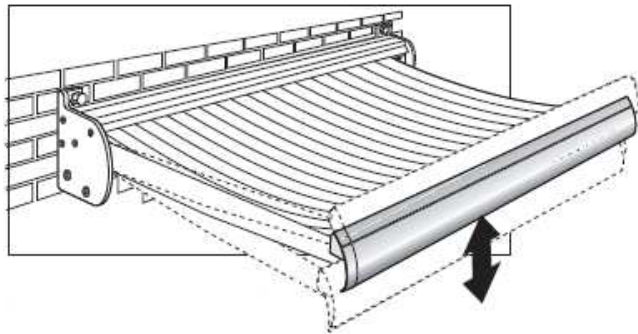
7. Ensuring that your hands are clean, remove the outer packaging.



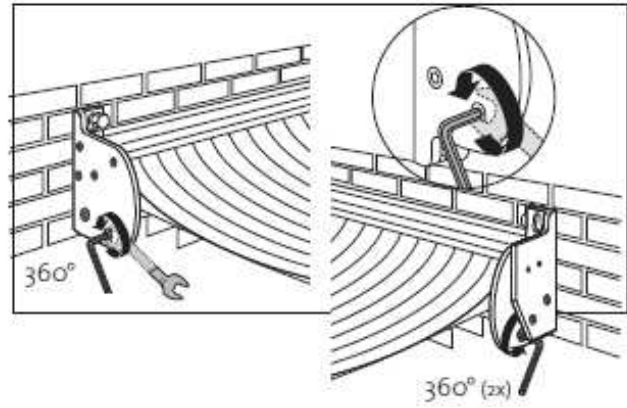
8. Extend the awning. The fabric rolls on the underside of the axle.



9. Your awning will come already set up however if you wish to adjust the angle then follow these steps.

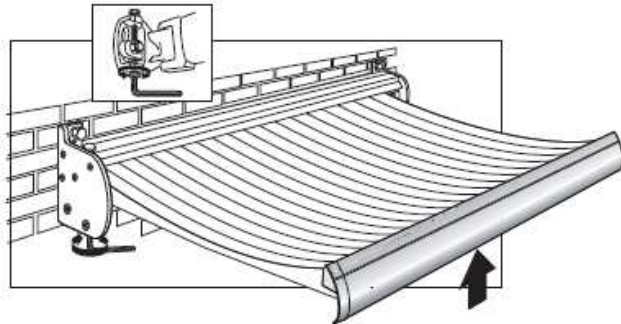


10. Using both an Allen key and spanner loosen the bolts by two turns on both sides of the awning.

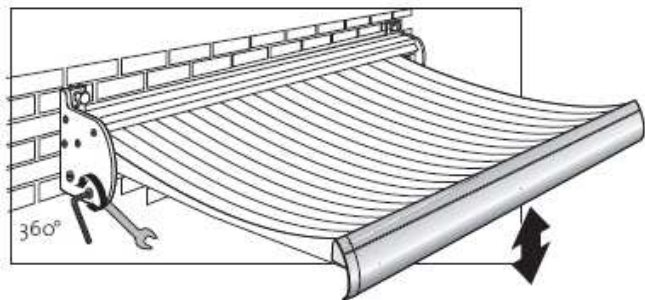


11. To adjust angle you need to take the weight off the bolt by lifting the arm of the awning. Turning the allen key bolt will raise and lower the angle on this side.

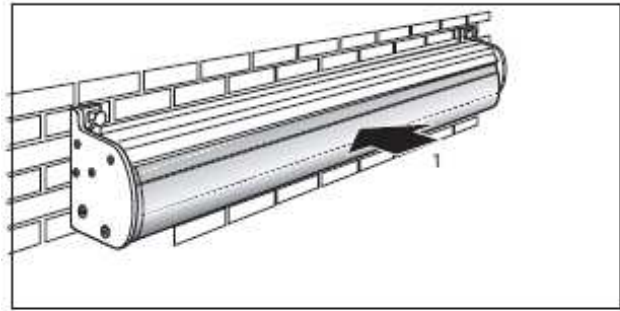
Repeat the process on the opposite side.



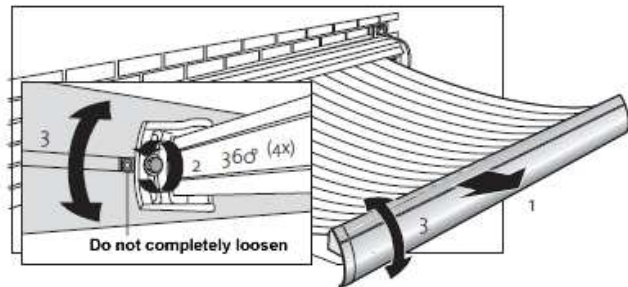
12. Once you are happy with the angle, tighten up the bolts.



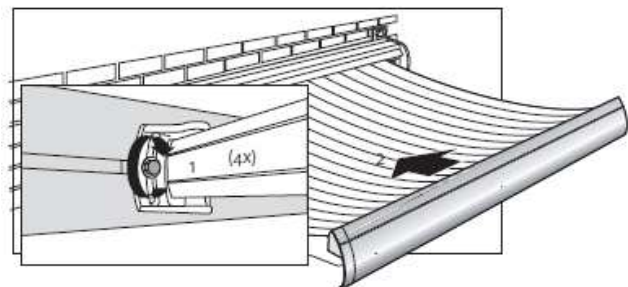
13. Check that the awning closes correctly.



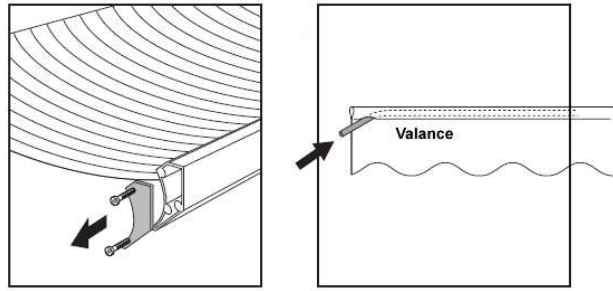
14. You may need to adjust the front plate to ensure a snug fit. (do not loosen completely)



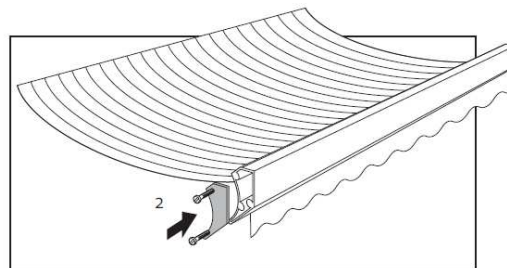
15. Once adjustments have been made it important to tighten the frontbar connection sufficiently.



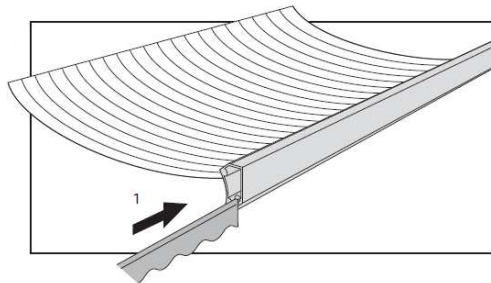
16. To install a valance you need to unscrew the end of the awning front bar



17. Slide the valance into the channel in the front bar



18. Re-attach the frontbar endcap and tighten screws



Electric Awnings

Your awning is powered by plugging into a standard 3 pin plug socket. If you do not have an external power point then you will need to remove the plug, drill through the wall of your property and route the cable accordingly. To prevent moisture running into your property use a drip loop by ensuring the cable runs up to the hole rather than down to it. Likewise, you should ensure that a drip loop is used on the inside of your property.

Caring for your Awning

Use in Rain / Wind

Your awning is designed to withstand winds of up to Beaufort 5 (19mph). This is defined as a fresh breeze:

Fresh Breeze = "Branches of a moderate size move. Small trees in leaf begin to sway"

The awning should be retracted if the wind levels exceed this and also in the case of rain, frost or snow. If there is snow on the cover then this needs to be removed prior to attempting to retract the awning.

The awning can be used in light showers though it is very important that water is not allowed to pool on the fabric else damage will occur. It is recommended that an angle of at least 14 degrees is used to allow water to run off effectively.

Motor and Remote Control

The remote control is powered by batteries and they have an expected life of approximately two years. Your remote will arrive pre-programmed to the integral receiver that is located within the motor.

The motor has a thermal cut off which prevents the motor from overheating if it is used too many times in succession. Leaving the awning for a period of 10 – 30 minutes will allow normal operation to commence.

Fabric

Our fabrics are provided with the latest self-cleaning protection and with a light rainfall (see use in rain above) any dirt will wash off the fabric. For more stubborn stains a non-pressurised water jet can be used and marks can be sponged with warm soapy water using washing up liquid. Do not rub the fabric heavily and rinse and allow to dry.

The fabric can be retracted when wet though it is recommended to not leave it retracted for long periods. On the next dry day extend the awning to allow it to dry off.

Valance (if applicable)

It is recommended that you remove the valance during winter months or in periods of strong winds to prevent damage. This is done by partially extending the awning and removing the endcap off the front bar and sliding the valance out. The plastic tubing that resides in the hem of the valance can be removed and stored back in the front profile of the awning. The valance should always be rolled rather than folded for storage.

Characteristics of Awning Fabrics

Awning fabrics are industrially manufactured textile products which are intended to play both a functional and decorative role.

They are high performance products that meet strict technical requirements and undergo extensive laboratory testing. Criteria such as water impermeability, rigidity, dirt/water repelling properties, resistance to tearing and tear propagation, colour fastness and numerous other characteristics are defined, assessed and guaranteed for each fabric type by the manufacturer.

Although only first class, quality controlled fabric is used in awning production, there are limits to the degree of perfection that can be achieved. Awning owners occasionally complain about certain imperfections in the fabric but such characteristics cannot be completely eradicated even with today's technology.

Creases

Creases can appear during the fabric manufacture process and when the fabric is folded. A dark line may become visible at the crease when viewed against the light, especially with light colours. This is because the fibres are bent when the fabric is folded, which change the light transmitting qualities of the material.

Puckering

Puckering can appear along the side of the hems, around the seams and in the centre of the panel. There is a double layer of fabric at the seams which are sewn or bonded when flat. As the fabric is wound onto a roller the two layers of fabric are forced to assume two different diameters thus creating tension within the fabric. The tension of the folding arms and the weight of the roller and/or the front profile can contribute to this effect. Puckering can also form if water is allowed to pool on the fabric.

Water Impermeability / resistance to rain

Sunshade fabrics are impregnated with a water repellent finish and, if properly cared for and used at a pitch of at least 14 degrees, remain resistant to rain during short light rainfall. During lengthy spells of rain and/or heavy rainfall, the awning must not be extended or should be retracted to prevent any damage. If the fabric does get wet, the awning should be extended at the next dry opportunity to prevent marking of the fabric.

Tension induced stretching of the side hems.

In most cases an active tension system keeps the fabric taut almost permanently. Although seams and hems provide reinforcement, they also have to withstand the most strain. When the fabric is rolled up, the seams and the hems rolled up on themselves which increases the pressure and tautness still further. They are therefore put under a lot of tension and this can cause them to stretch slightly. As a consequence, side hems may sag slightly when the awning is extended.